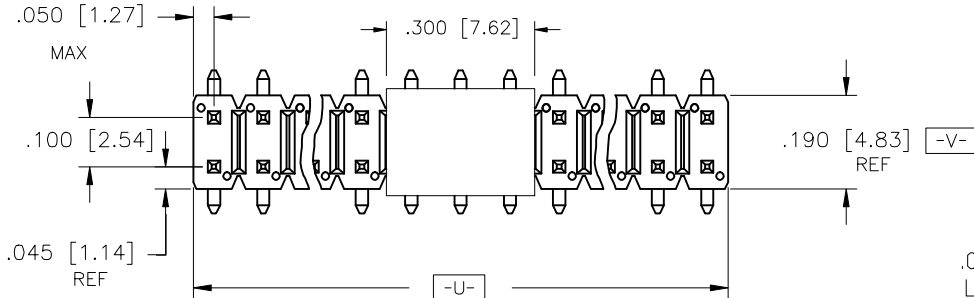
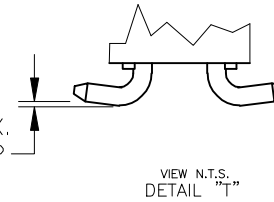


PRODUCT NO.
XXXXX-YYYHPLF

- LEAD FREE OPTION (SEE NOTE 9 & 10)
- PACKAGING OPTIONS (SEE NOTE 6)
- HIGH TEMPERATURE PLASTIC
- NO. OF POSITIONS (SEE NOTE 5)
- PLATING NUMBER (SEE SHEET 2)
- BASE PART NUMBER (SEE SHEET 4)



.000 to .008 MAX.
LEG TIP TOE UP
TYPICAL



□ .025±.001 [0.64±0.03]
TYP

⊕ ∅ .020/0.51 (M) U (M) V
NOTE 4

PICK-UP CAP
(IF REQ'D)

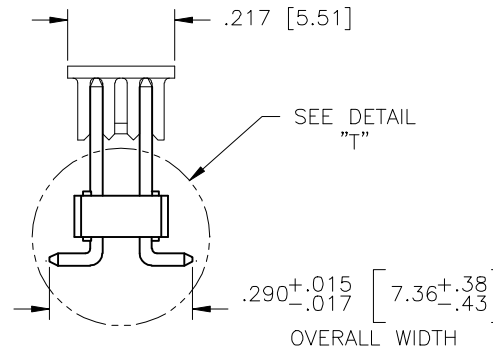
MATING LGTH.
DIM "H" ±.008 [0.20]

DIM "E"

NOTE 3

.100 [2.54] REF

∠ .004/0.10



Copyright FCI

mat'l. code		surface		tolerance	projection	product family	
-		ISO 1302		ISO 406		BERGSTIK	
				ISO 1101		BERGSTIK® II HDR. D/R	
ltr	ecn no	dr	date	tolerances unless otherwise specified		title	
A	V20562	GIP	3/22/02	angles	.XX±.01/.X±.3	BERGSTIK® II HDR. D/R	
B	V20778	GIP	7/09/02	linear	.XXX±.005/.XX±0.13	.100 DUP. VERT. SMT.	
C	M05-0118	MHT	6/02/05	0'±2'	.XXX±.0020/.XXX±.05	scale 1:1	
D	M06-0269	MNR	7/17/06	dr	G. PETERS	3/22/02	
E	M06-0356	MHT	9/08/06	engr	H. SUNDY	3/22/02	
F	M08-0291	MHT	10/06/08	chr	H. SUNDY	3/22/02	
				appd	H. SUNDY	3/22/02	
sheet	revision	F	F	F	F	type Product Customer Drawing	
index	sheet	1	2	3	4	dwg no 71276 sheet 1 of 4 size A3	

form A3

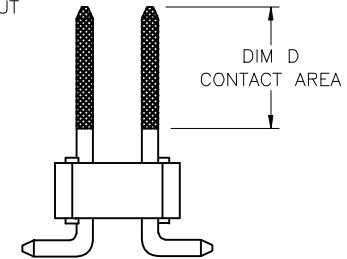
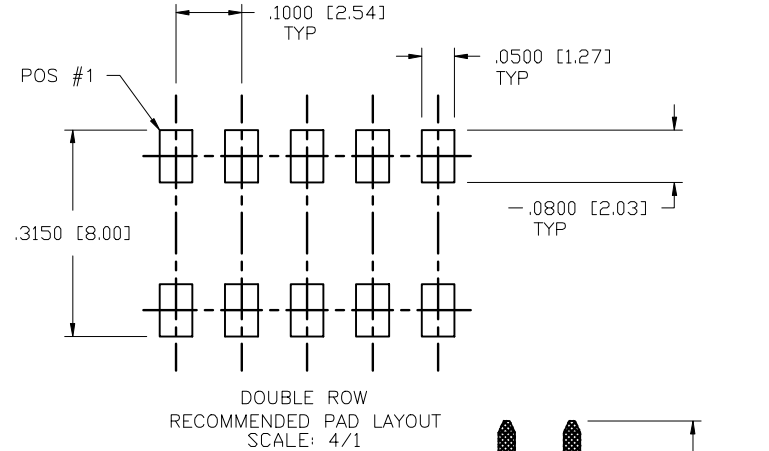
PRODUCT NUMBER	CONTACT AREA "DIM D" PLATING	TAIL PLATING
XXXXX-1YY	30u"/0.76um Au OVER 50u"/1.27um Ni.	100u"/2.54um Sn OVER 50u"/1.27um Ni.
XXXXX-2YY	15u"/0.38um Au OVER 50u"/1.27um Ni.	100u"/2.54um Sn OVER 50u"/1.27um Ni.
XXXXX-4YY	120u"/3.05um Sn OVER 50u"/1.27um Ni.	100u"/2.54um Sn OVER 50u"/1.27um Ni.
XXXXX-1YYLF	30u"/0.76um Au OVER 50u"/1.27um Ni.	100u"/2.54um Sn OVER 50u"/1.27um Ni.
XXXXX-2YYLF	15u"/0.38um Au OVER 50u"/1.27um Ni.	100u"/2.54um Sn OVER 50u"/1.27um Ni.
XXXXX-4YYLF	120u"/3.05um Sn OVER 50u"/1.27um Ni.	100u"/2.54um Sn OVER 50u"/1.27um Ni.

SEE NOTE 8 & 12

SEE NOTE 8 & 12

NOTES:

- ① BODY MATERIAL: GLASS FIBER REINFORCED PCT FLAME RETARDENT PER UL-94V-0. COLOR: BLACK
OR
MINERAL FILL LCP FLAME RETARDENT PER UL-94V-0. COLOR: BLACK
- ② PIN MATERIAL: PHOS-BRONZE.
- ③ 2 Lbs / 0.9 Kg MIN PIN RETENTION IN EITHER DIRECTION.
- ④ MEASURED WITH PART IN RESTRAINED CONDITION.
- ⑤ NUMBER OF POSITIONS FROM 4(2X2) THRU 40(2X20) EXCEPT TAPE-ON-REEL AVAILABLE 4(2X2) THRU 34(2X17) ONLY.
- ⑥ PACKAGING OPTIONS: CHECK SPECIFIC PART NUMBERS FOR AVAILABILITY. PART NUMBERS WITHOUT A SUFFIX ARE PACKAGED IN POLY BAGS. PART NUMBERS FOLLOWED BY A "T" SUFFIX ARE PACKAGED IN TUBES. PART NUMBERS FOLLOWED BY A "V" SUFFIX ARE PACKAGED TAPE-ON-REEL WITH A PICK-UP CAP INSTALLED. THE "Z" DIGIT FOLLOWING THE "V" INDICATES CUSTOMER SPECIAL TAPE.
- ⑦ CONTACT MARKETING BEFORE ORDERING ODD POSITION PART NUMBERS (2X3,2X5,2X7,ETC.).
- ⑧ TIN LEAD PLATED PARTS XXXXX-4XXH WILL NOT HAVE PLATING ON TWO SIDES OF THE PIN TIP TYPICAL BOTH ENDS.
- ⑨ PART NUMBER WITH "LF" SUFFIX AT THE END ARE LEAD FREE.
- ⑩ THIS PRODUCT MEETS EUROPEAN UNION DIRECTIVES AND OTHER COUNTRY REGULATION AS DESCRIBED IN GS-22-008.
11. THE HOUSING WILL WITHSTAND EXPOSURE TO 260°C PEAK TEMPERATURE FOR 20 SECONDS IN A CONVECTION, INFRA-RED OR VAPOR PHASE REFLOW OVEN. SEE APPLICATION NOTES/PROCEDURES IF THEY ARE AVAILABLE
- ⑫ "THIS PRODUCT HAS 100% PURE TIN PLATING IN THE INTERFACE AND HAS NOT BEEN TESTED FOR WHISKER GROWTH IN ALL INTERCONNECT ENVIRONMENTS."

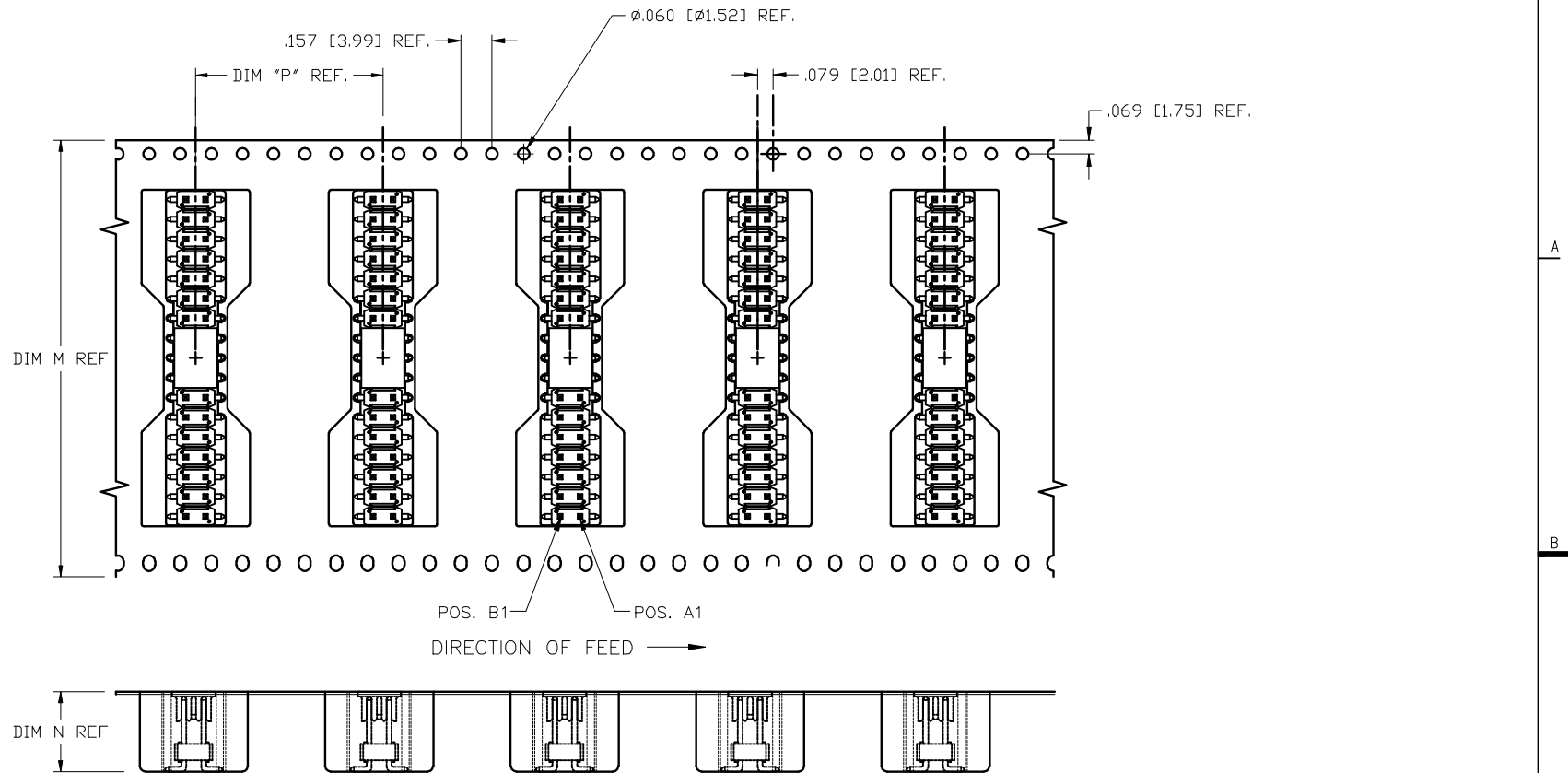


DOUBLE ROW SMT
END VIEW

mat'l. code		surface		tolerance		projection		product family	
-		ISO 1302		ISO 406		ISO 1301		BERGSTIK	
ltr		ecn no		dr		date		title	
F								BERGSTIK® II HDR. D/R	
				angles		linear		INCH/MM	
				0° ± 2'		.XX ± .01 / .XX ± .3		scale 1:1	
						.XXX ± .005 / .XXX ± .013		sheet 2 of 4 size	
				dr		G. PETERS 3/22/02		A3	
				engr		H. SUNDY 3/22/02		dwg no	
				chr		H. SUNDY 3/22/02		71276	
				appd		H. SUNDY 3/22/02		type	
								Product Customer Drawing	
sheet		revision							
index		sheet							

FCJ
FCconnect.com
Copyright FCJ

PRODUCT NUMBER
SEE TABLE



Copyright FCI

mat'l. code		surface	tolerance	projection	product family
-		ISO 1302	ISO 406		BERGSTIK
			ISO 1101		
ltr	ecn no	dr	date	tolerances unless otherwise specified	title
F				linear .XX±.01/.X±.3 .XXX±.005/.XX±0.13 .XXX±.0020/.XXX±.05	BERGSTIK® II HDR. D/R
				angles 0°±2'	.100 DUP. VERT. SMT.
				dr	scale 1:1
				engr	
				chr	
				appd	
sheet	revision				dwg no
index	sheet				71276
					sheet 3 of 4 size
					A3
					type Product Customer Drawing

form A3

PRODUCT NUMBER	MATING LENGTH DIM "H"	CONTACT AREA DIM "D"	DIM "E"	TAPE WIDTH DIM "M"	POCKET DEPTH DIM "N"	PACKAGING
71276-YYYH	.230/5.84	.200/5.08	.150/3.81	2.205/56.00	.433/11.00	POLY BAGS/TAPE ON REEL
71276-408HV	.230/5.84	.200/5.08	.150/3.81	.945/24.00	.433/11.00	TAPE ON REEL
71276-410HV2	.230/5.84	.200/5.08	.150/3.81	.945/24.00	.415/10.54	TAPE ON REEL
71277-YYYH	.318/8.08	.288/7.32	.150/3.81	2.205/56.00	.524/13.28	POLY BAGS/TAPE ON REEL, NOTE 7
71276-YYYHLF	.230/5.84	.200/5.08	.150/3.81	2.205/56.00	.433/11.00	POLY BAGS/TAPE ON REEL
71276-408HVLF	.230/5.84	.200/5.08	.150/3.81	.945/24.00	.433/11.00	TAPE ON REEL
71276-410HV2LF	.230/5.84	.200/5.08	.150/3.81	.945/24.00	.415/10.54	TAPE ON REEL
71277-YYYHLF	.318/8.08	.288/7.32	.150/3.81	2.205/56.00	.524/13.28	POLY BAGS/TAPE ON REEL, NOTE 7



Copyright FCJ

mat'l. code		surface ISO 1302		tolerance ISO 406 ISO 1101		projection		product family BERGSTIK	
ltr	ecn no	dr	date	tolerances unless otherwise specified					
F				angles	linear	.XX±.01/XX±.3 .XXX±.005/XXX±0.13 XXX±.0020/XXX±.05		INCH/MM	
				0'±2'		scale 1:1			
		dr	G. PETERS	3/22/02			FCJ		dwg no
		engr	H. SUNDY	3/22/02					71276
		chr	H. SUNDY	3/22/02					sheet 4 of 4 size
		appd	H. SUNDY	3/22/02					A3
sheet	revision								
index	sheet								

form A3 1 2 3 4 5 6